
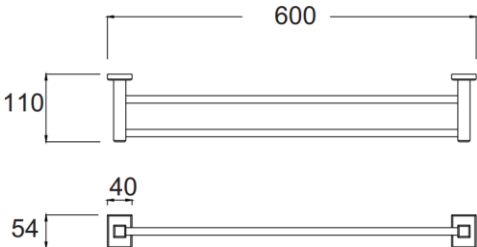




PROJECT		REF		REV	ITEM CODE	
LOCATION		DATE			PAGE	

SANITARY WARE SPECIFICATION SHEET

<p>Item Descriptions</p> <p>Dimensions</p> <p>Model</p> <p>Material/Colour</p> <p>Manufacturer</p> <p>Source</p> <p>Contact Tel/Fax</p> <p>E-mail</p> <p>Website</p>	<p>American Standard (Thailand) "Concept Square" Chrome plated double towel rail</p> <p>L600 x W110 x H54 mm</p> <p>K-2501-52-N</p> <p>Chrome Plated</p> <p>American Standard (Thailand)</p> <p>Acme Sanitary Ware Co. Ltd Mr. Eric Wong/ Mr. Don Yuen</p> <p>(852) 2388-7171 / (852) 2710-8012</p> <p>acme@acmesanitary.com.hk</p> <p>www.acmesanitary.com.hk</p>	<p style="text-align: center;">Illustration/ Drawing</p>  
--	--	--

Note: Equivalent to F52501-CHADY52

** All information of the above is for the reference only. No prior notice is made if any changes.*